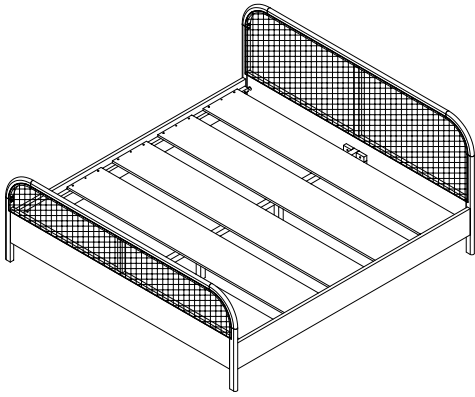


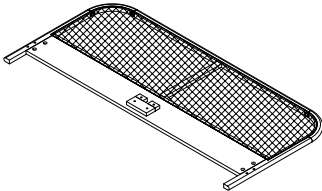
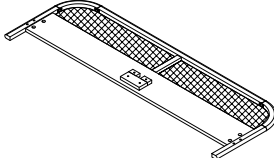
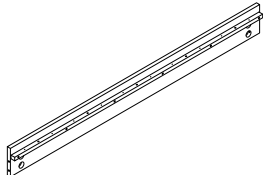
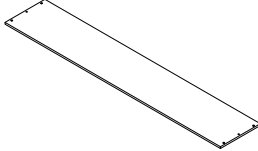

ASSEMBLY INSTRUCTION



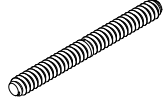

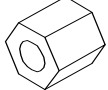


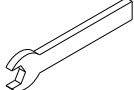
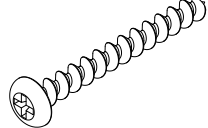
Product Name: **BREEZE BED - QUEEN - BLACK**

PART LIST

Before you begin, please layout all parts and ensure you have the correct count.

PART	DESCRIPTION	QUANTITY	ILLUSTRATION
1	HEADBOARD ASSY	1	
2	FOOTBOARD ASSY	1	
3	SIDE RAIL ASSY	2	
4	SLATS PANEL	5	
5	CENTER RAIL	1	
6	CENTER LEG	2	

PART LIST**Before you begin, please layout all parts and ensure you have the correct count.**

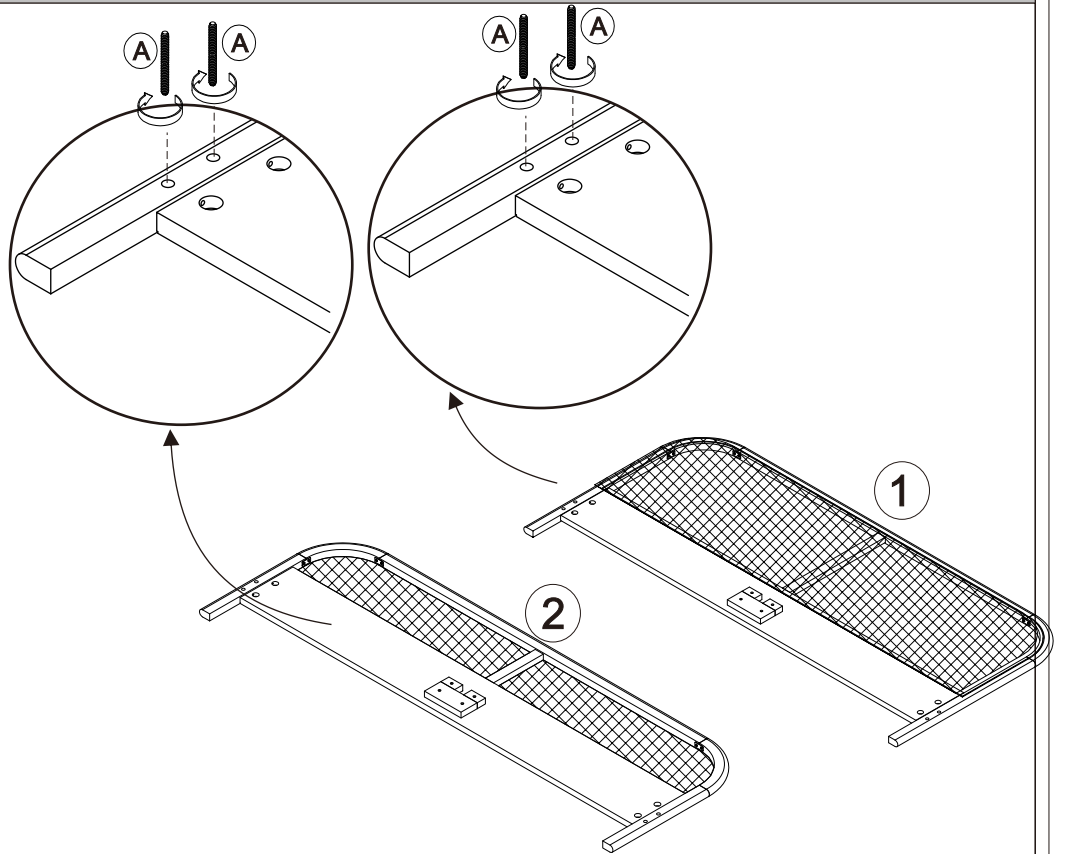
PART	DESCRIPTION	QUANTITY	ILLUSTRATION
A	THREADED BOLT M8	8	
B	HALF MOON	8	
C	NUT M8	8	
D	TJP SCREW Ø8 X 25 MM	20	
E	WOOD DOWEL Ø8 X 30	10	
F	WRENCH KEY	1	
G	TJP SCREW Ø8 X 38 MM	2	

ASSEMBLY INSTRUCTIONS

STEPS

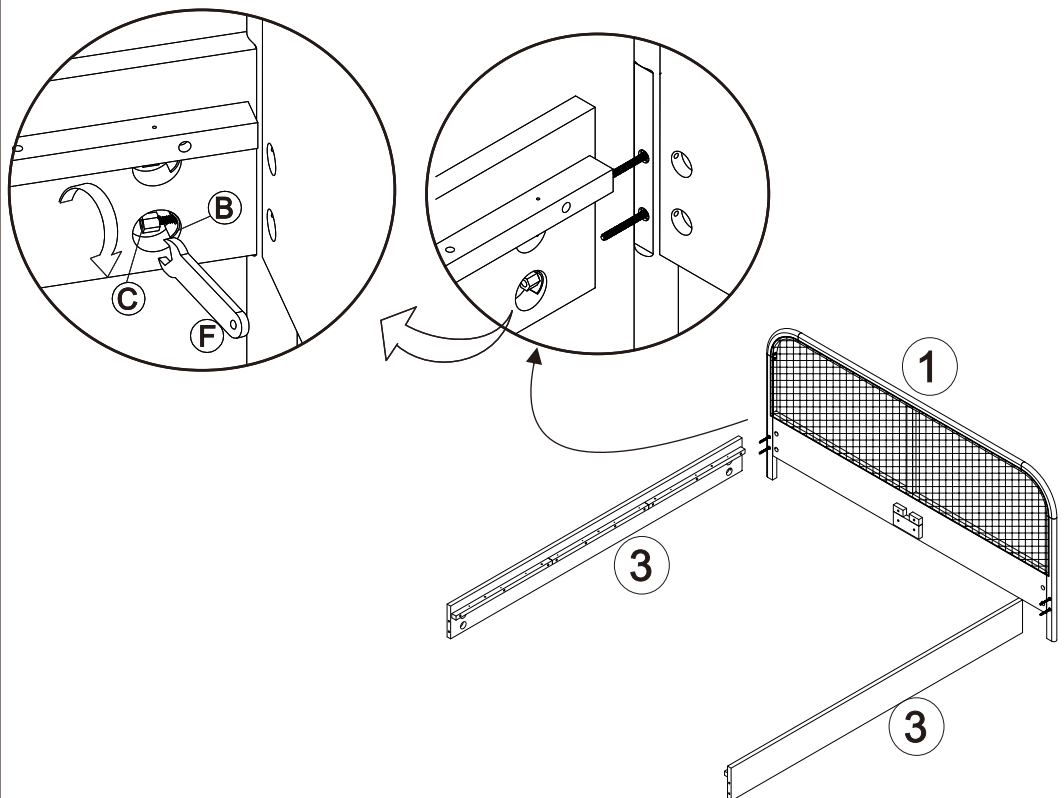
ILLUSTRATION

1



Place Threaded Bolt M8 (A) into Headboard (1) and Footboard (2).

2



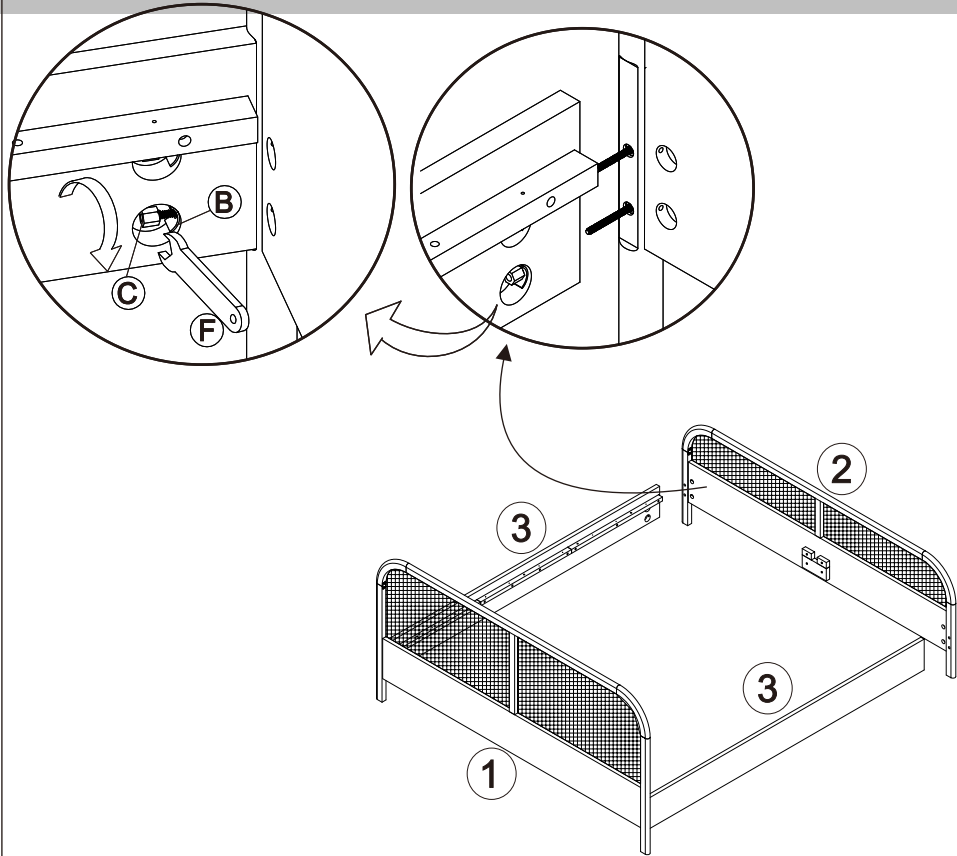
Use Half Moon(B) and Nut M8 (C) to connect Side Rail (3) to HB (1). Tighten using Wrench Key.

ASSEMBLY INSTRUCTIONS

STEPS

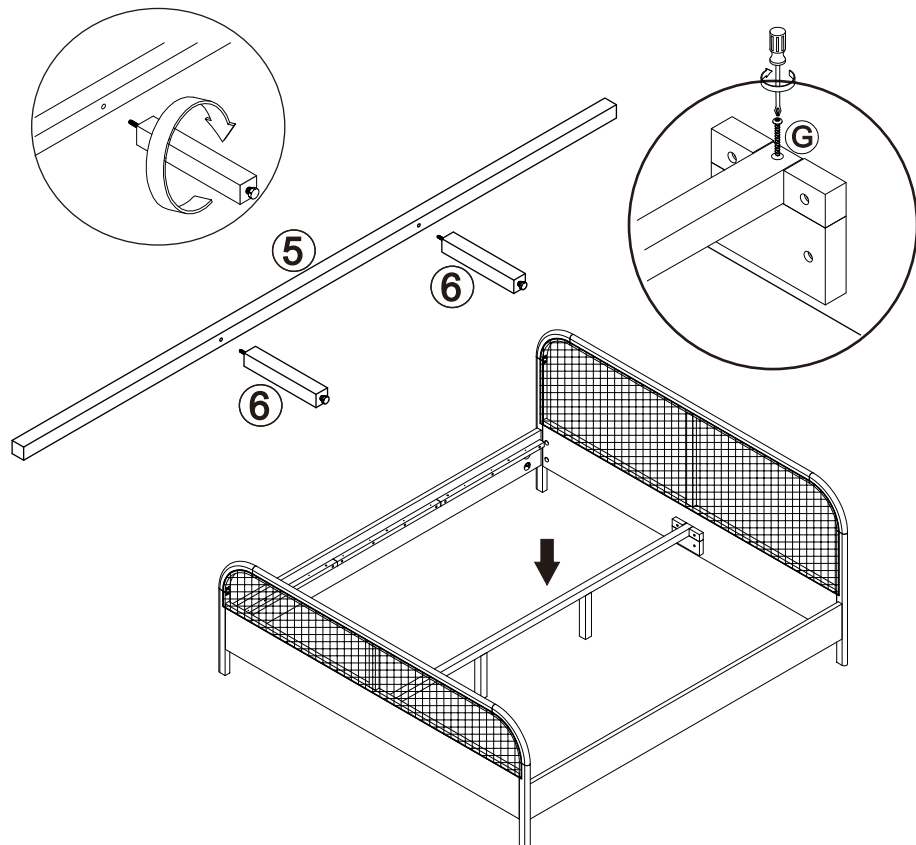
ILLUSTRATION

3



Use Half Moon(B) and Nut M8 (C) to connect Side Rail (3) to FB (2).Tighten using Wrench Key.

4



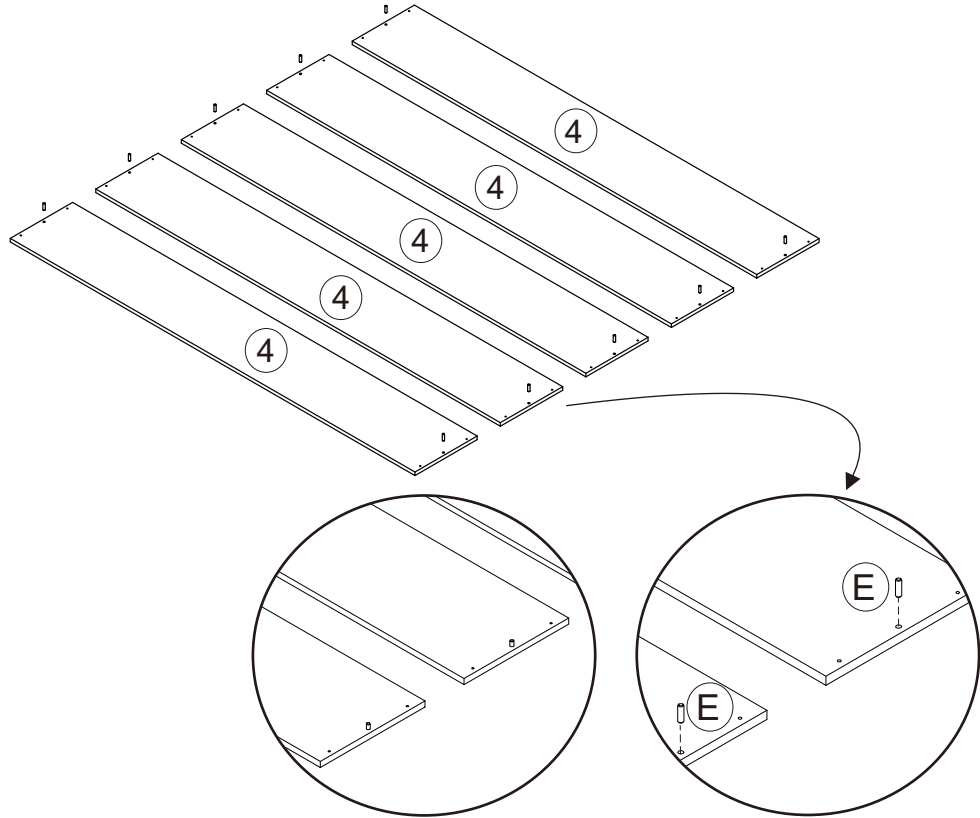
Attach Center Leg (6) into Center Rail (5).Then put down at center Headboard and Footboard and fix it using screw (G) then tighten by manual screw driver (not included)

ASSEMBLY INSTRUCTIONS

STEPS

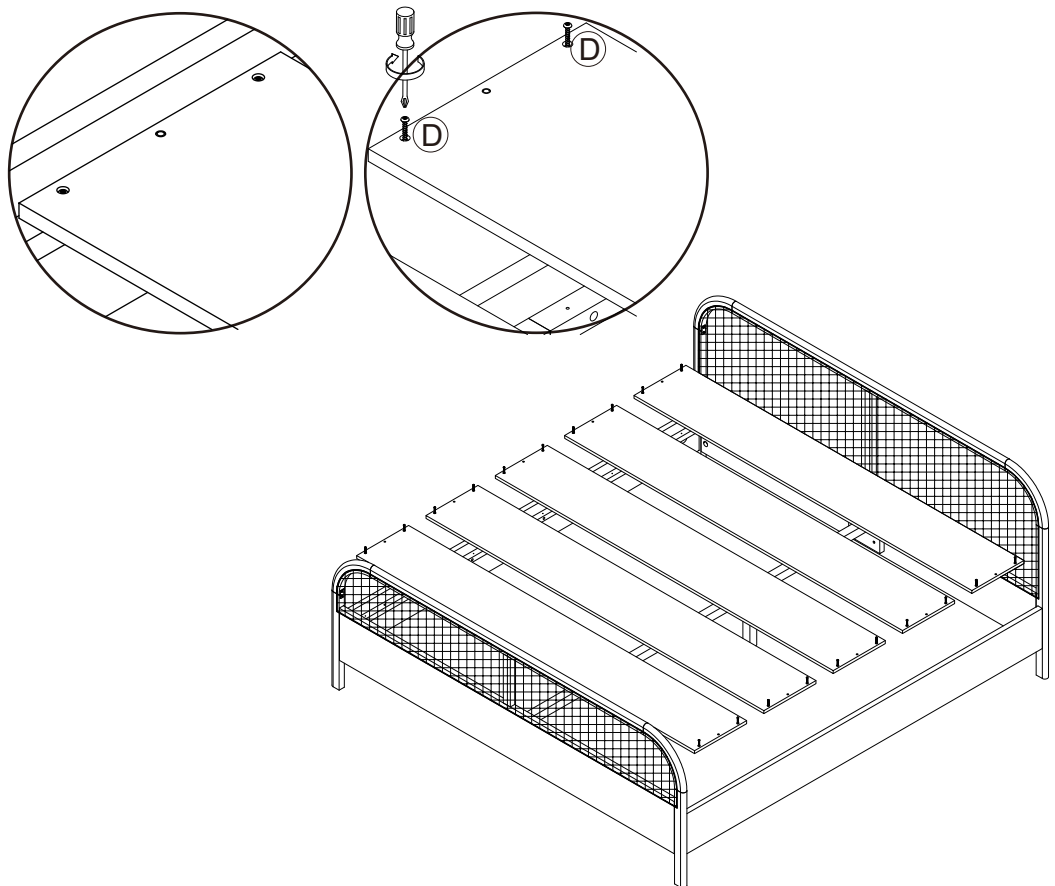
ILLUSTRATION

5



Place Wooden Dowel Ø8x30 (E) into Slats Panel (4).

6



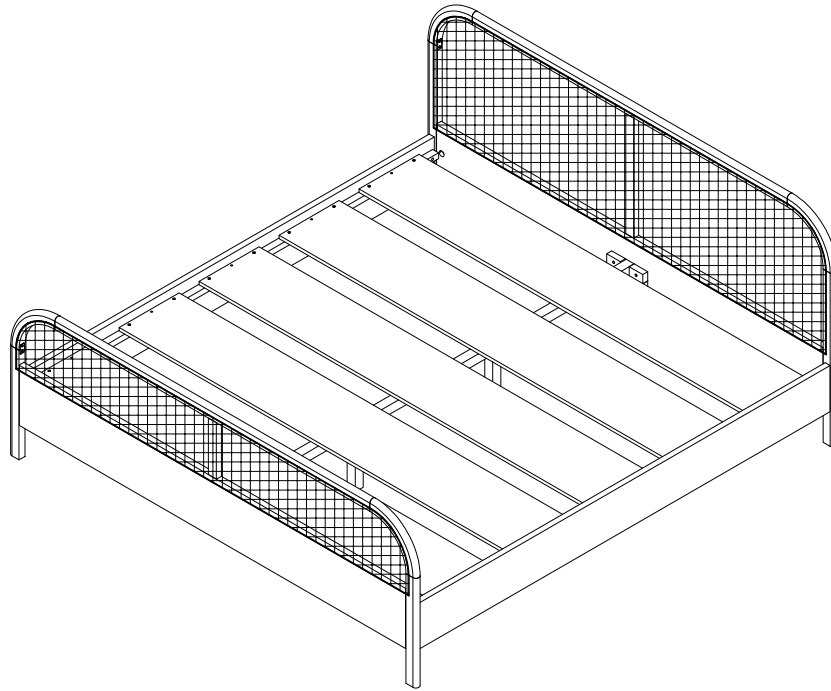
Place Slats Panel into Side Rail then Assembly Together using Screw (D)

ASSEMBLY INSTRUCTIONS

STEPS

ILLUSTRATION

7



Assembly completed

ASSEMBLY TIPS:

Please check parts and hardware before assembling. Follow each instruction step by step.

Place a protective pad or piece of cardboard on the floor while assembling your item on top of it.

Remove all parts from the carton and separate them into part numbers/groups as indicated on the part list.

Please follow instructions in the sequence as numbered to assure fast/easy assembly.

WARNING:

Don't attempt to repair or modify parts that are broken or defective - if you find a broken part please contact us for replacement.

Keep all hardware parts out of the reach of children.

FURNITURE CARE:

Following these few basic steps will help to ensure that you enjoy your furniture for a long time:

Do not expose your furniture to direct sunlight, dampness or any heat, like a hot cup of coffee or tea. Always use a coaster.

Excessive exposure to sunlight may cause fading.

Excessive temperature and humidity or cold may cause cracking or splitting.

Dust with a clean, damp, lint free cloth.

Use a damp cloth with water or mild detergent to clean all surfaces - do not use chemicals or paint thinner which will fade the surface.

Place a piece of felt or a pad under the legs of your furniture to avoid scratching the floor.